



# **1080p Indoor Wi-Fi Camera**

## Quick Start Guide

ADC-V523

## Pre-installation checklist

- ADC-V523 camera (included).
- AC power adapter (included).
- Wireless (2.4 or 5 GHz) connection to broadband (Cable, DSL, or Fiber Optic) internet.
- A computer, tablet, or smartphone with Wi-Fi is required if the router does not have the Wi-Fi Protected Setup (WPS) feature.

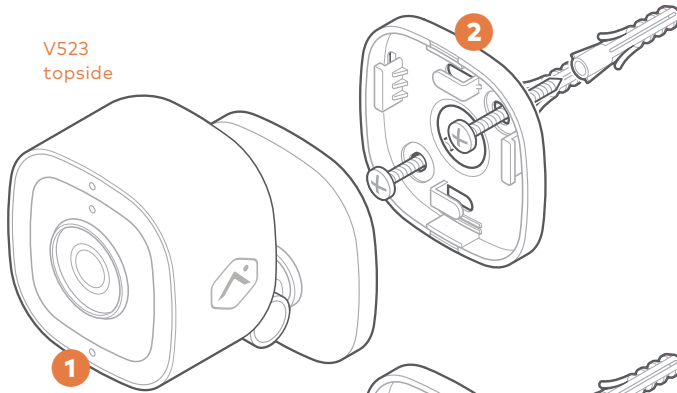
**There are three options for connecting the ADC-V523 to the Internet: Access Point (AP) mode, Wi-Fi Protected Setup (WPS) mode, and Ethernet mode. Use WPS mode if you have easy access to the customer's router and the router has the WPS feature enabled. Note that some Internet Service Providers disable the WPS feature on customer routers. AP mode is the most reliable wireless method for installing this device.**

## In the box

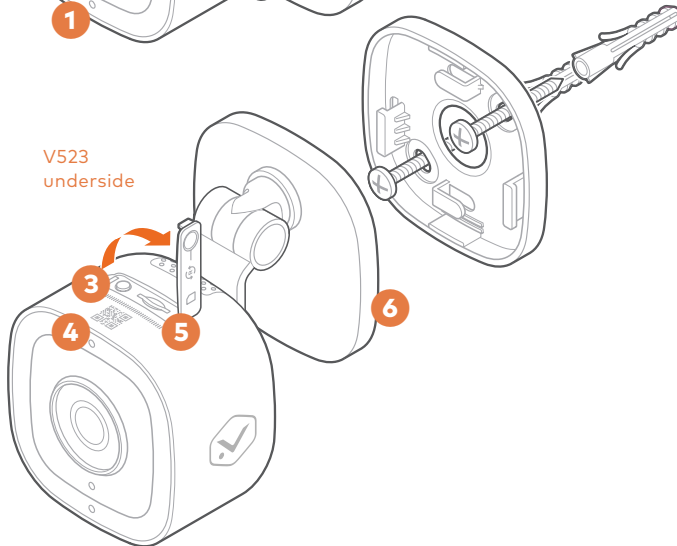
- V523 camera
- Mounting plate
- Power supply
- User guide
- Wall anchors & screws (x2)

## Overview

V523  
topside



V523  
underside



- 1 LED indicator
- 2 Mounting plate
- 3 Reset button
- 4 MAC address + QR code
- 5 SD card door
- 6 Base plate

## Installation

### Connect the camera to the Wi-Fi network

#### AP mode

To ensure sufficient Wi-Fi signal, complete these steps with the camera near its final location but prior to mounting.

1. Connect the camera's AC power adapter and plug it into a non-switched outlet.
2. The camera's LED will begin to flash white. If the LED is not white after two minutes, hold down the Reset button and release when the LED begins to flash white (about 6 seconds).
3. On an Internet enabled device, connect to the wireless network "ADC-V523 (XX:XX:XX)" where XX:XX:XX is the last six characters of the ADC-V523's MAC address, which is located on the bottom of the camera or on the packaging.
4. On the same device, open a web browser and enter "http://v523install" in the URL field. Follow the on-screen instructions to add the ADC-V523 to the Wi-Fi network. The LED will be solid green when the connection is complete.
5. Add the device to the account by either selecting the account in MobileTech or by using a web browser and entering the following URL: [www.alarm.com/addcamera](http://www.alarm.com/addcamera) (you will need the customer's user name and password if using the Customer Website).
6. Select the camera from the video device list or type in its MAC address to begin adding the camera. The camera's MAC address is located on the bottom of the camera or on the packaging.
7. Follow the on-screen instructions to finish adding the camera.

You may configure camera settings from the Customer Website. You can now power down the camera and install it in its final location using the included hardware.

### Connect the camera to the Wi-Fi network

#### WPS mode

To ensure sufficient Wi-Fi signal, complete these steps with the camera near its final location but prior to mounting.

1. Connect the camera's AC power adapter and plug it into a non-switched outlet.
2. Hold down the Reset button on the bottom of the camera and release when the LED begins to flash blue (about 3 seconds).
3. Activate the WPS mode on the router. The camera will begin to connect to the wireless network. The LED will be solid green when the connection is complete.

continued

4. Add the device to the account by either selecting the account in MobileTech or by using a web browser and entering the following URL: [www.alarm.com/addcamera](http://www.alarm.com/addcamera) (you will need the customer's user name and password if using the Customer Website).
5. Select the camera from the video device list or type in its MAC address to begin adding the camera. The camera's MAC address is located on the bottom of the camera or on the packaging.
6. Follow the on-screen instructions to finish adding the camera.

**You may configure camera settings from the Customer Website. You can now power down the camera and install it in its final location using the included hardware.**

### Connect the camera to the network

#### Ethernet mode

**Complete these steps prior to installing the camera in its final location.**

1. Using an Ethernet cable, connect the camera to the network.
2. Connect the camera's AC power adapter and plug it into a non-switched outlet.
3. Wait a few minutes for the camera to connect to the Internet. When the LED is solid green, the connection is complete.

#### **If the LED is not solid green after a few minutes:**

- Power cycle the camera.
  - Try a different Ethernet port on the router.
  - Try to connect using a different mode (AP or WPS mode).
4. Add the device to the account by either selecting the account in MobileTech or by using a web browser and entering the following URL: [www.alarm.com/addcamera](http://www.alarm.com/addcamera) (you will need the customer's user name and password if using the Customer Website).
  5. Select the camera from the video device list or type in its MAC address to begin adding the camera. The camera's MAC address is located on the bottom of the camera or on the packaging.
  6. Follow the on-screen instructions to finish adding the camera.


**Important: If the video device will be connected to the Wi-Fi network after this initial installation, be sure to configure the Wi-Fi network after the camera is added to the account.**

**You may configure camera settings from the Customer Website. You can now power down the camera and install it in its final location using the included hardware.**

## LED reference guide

• Off	Power off
• Solid green	Connected to Alarm.com
•••• Flashing green	Local network connection
•••• Flashing green+red	Camera resetting to factory default
• Solid red	No local or Internet connection
•••• Flashing red	Power on, camera booting
•••• Flashing blue	WPS mode
•••• Flashing white	Wi-Fi access point mode

## Troubleshooting

- If you have issues connecting the camera to the account, power cycle the camera and try again.
- If issues persist, press and hold the Reset button  located on the bottom of the camera until the LED is flashing Green and Red (about 15 seconds), then release the button. The camera will reboot with factory defaults.

**If the camera was previously installed to an Alarm.com account, it will need to be deleted before it can be installed again.**

# Notices

Note: This equipment has been tested and found to comply with the limits for a Class B digital device, pursuant to part 15 of the FCC Rules. These limits are designed to provide reasonable protection against harmful interference in a residential installation. This equipment generates, uses and can radiate radio frequency energy and, if not installed and used in accordance with the instructions, may cause harmful interference to radio communications. However, there is no guarantee that interference will not occur in a particular installation. If this equipment does cause harmful interference to radio or television reception, which can be determined by turning the equipment off and on, the user is encouraged to try to correct the interference by one or more of the following measures:

- Reorient or relocate the receiving antenna.
- Increase the separation between the equipment and receiver.
- Connect the equipment into an outlet on a circuit different from that to which the receiver is connected.
- Consult the dealer or an experienced radio/TV technician for help. Changes or modifications not expressly approved by the party responsible for compliance could void the user's authority to operate this equipment

This device contains licence-exempt transmitters(s)/receiver(s) that comply with Innovation, Science and Economic Development Canada's licence-exempt RSS(s). Operation is subject to the following two conditions:

- This device may not cause interference.
- This device must accept any interference, including interference that may cause undesired operation of the device.

Cet appareil contient des émetteurs/récepteurs exemptés de licence conformes à la norme Innovation, Sciences, et Développement économique Canada. L'exploitation est autorisée aux deux conditions suivantes:

- L'appareil ne doit pas produire de brouillage.
- L'utilisateur de l'appareil doit accepter tout brouillage radioélectrique subi, même si le brouillage est susceptible d'en compromettre le fonctionnement.

## Questions?

Visit: [www.alarm.com/supportcenter](http://www.alarm.com/supportcenter)  
or contact your service provider



8281 Greensboro Drive  
Suite 100  
Tysons, VA 22102