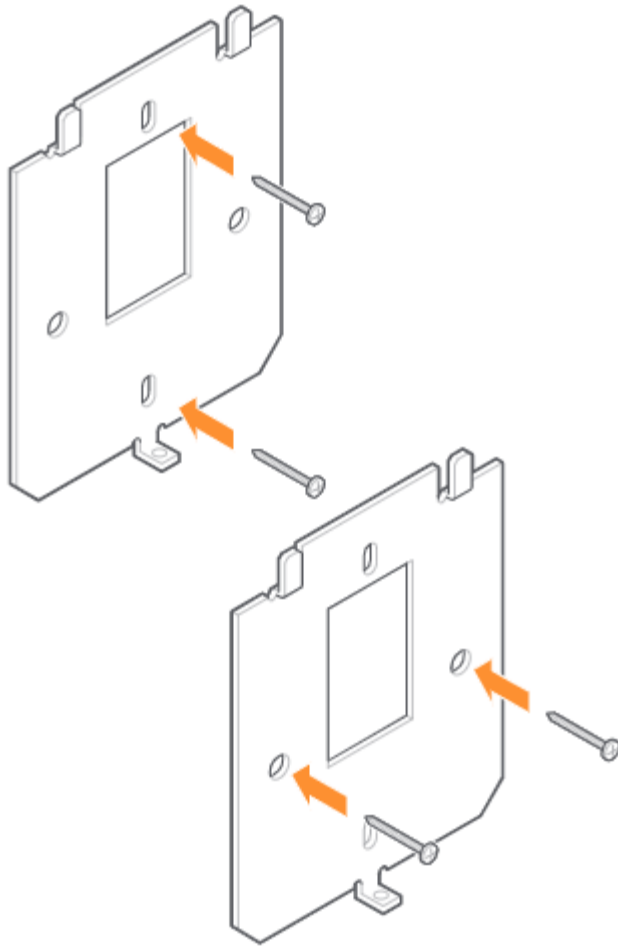


Single Gang Reader (ADC-AC-ET20) - Installation Guide

The Single Gang Reader (ADC-AC-ET20) offers a modern aesthetic and a state-of-the-art feature set. Standard technologies include Proximity (125 kHz), NFC (13.56 MHz), and Bluetooth. The Single Gang Reader is fully OSDP compliant and is enabled for Secure Channel. Additionally, the reader offers a patented feature called OSDP Auto-Detect. The reader communicates OSDP and Wiegand over the same wires to automatically detect and convert to OSDP Secure Channel protocol, eliminating the need to rewire or reconfigure the reader.

Mount the wall plate

Connect the wall plate to the single gang box using the provided #6 screws. Alternatively, the reader can be mounted using the provided #4 screws in the four outer holes for other installation requirements. Drywall installations will require molly bolts.



Wire the reader

Common Cable Connections

Wire Color	Function
Red	Power In
Black	Ground
Shield	Shield Ground
Brown*	Tamper Out
Yellow*	Beeper Control
Blue*	Green LED Control

Wire Color	Function
Orange*	Red LED Control
White	Wiegand: CLK/Data 1/TR+ OSDP: DAT/Data 0/TR-
Green	Wiegand: DAT/Data 0/TR- OSDP: CLK/Data 1/TR+

*These wires are only used in Wiegand readers.

Important: All wiring methods used must be in accordance with the National Electrical Code, ANSI/NFPA 70.

Max Length to Panel

Wiegand

Length	AWG
200' (60 m)	22
300'	20
500'	18

OSDP 9600 Baud Power 12 VDC

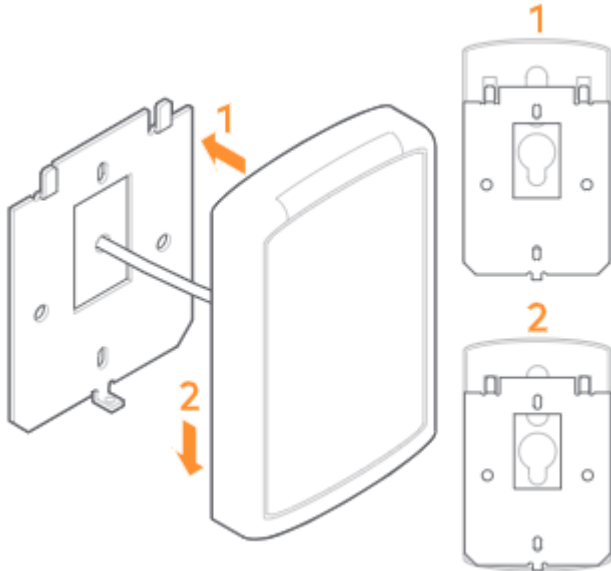
Length	AWG
1000'	22 AWG Twisted Pair

Current @ 12 V and 25 C

Avg. mA	Max. mA
118	169

Secure the reader to the wall plate

- Align the reader so that the tabs of the base plate slide into the slots on the wall plate.
- Slide the reader into position.
- Secure the reader to the mounting plate using the supplied #4-40 screw or pin-in-Torx.



Power and test the reader

Power the reader and wait for the power-up LED beep sequence to complete. Present a valid credential to the reader and the light-bar will turn green. If the test fails, check the wiring.

Additional information

Installation tips

- When connecting the reader to a Wiegand panel, connect the Green wire to Data 0 and the White wire to Data 1.
- When connecting the reader to an OSDP panel, connect the Green wire to RS485A and the White wire to RS485B.
- For an OSDP system, verify that the panel is successfully communicating with the reader prior to reading a badge or pressing a key.

Set the reader for Wiegand or OSDP

Note: Alarm.com readers are expected to ship in Weigand/Auto-Detect mode. Once a reader has been configured for OSDP using the Auto-Detect process, it will remain in OSDP until the reader is put back into Weigand/Auto-Detect mode.

The process for setting a reader for Wiegand or OSDP varies depending on the firmware version.

Note: The firmware version can be found on the back label of all Alarm.com branded readers.

Firmware Version 3.0.1.0 ✓

- By default, the reader will transmit credential and keypad data in Wiegand communication mode.
- Upon each power-up and before the reader reads a credential or a key is pressed, the reader will listen for an incoming OSDP message. If a message is received during this period, the reader will automatically switch to OSDP-only communication mode.
- To return to OSDP auto-detect mode (i.e., default mode), tilt the reader 45 degrees to simulate tamper and cycle power in this state. The power-up sequence should indicate OSDP auto-detect with 4 beeps.

Firmware Version 4.0.0.0 - 4.0.4.0 ✓

- By default, the reader will transmit credential and keypad data in Wiegand communication mode.
- Upon each power-up and before the reader reads a credential or a key is pressed, the reader will listen for an incoming OSDP message. If a message is received during this period, the reader will automatically switch to OSDP-only communication mode.
- To return to OSDP auto-detect mode (i.e., default mode), use the following steps:
 - Present a valid credential (i.e., any credential that the reader can pick up) to the face of the reader and hold it there.
 - Power cycle the reader while holding the card against the face of the reader.
 - After the normal startup A/V sequence (based on the current configuration) the LED should turn purple after a few seconds.
 - After seeing the purple LED, remove the card and power cycle the reader. The reader should boot back into default mode (i.e., Wiegand).

Firmware Version 4.1+ ✓

Important: Alarm.com Readers on Firmware Version 4.1+ require the use of an ADC-AC-ETCONFIG reprogramming card to put a reader into Wiegand/Auto-detect.

To return to Wiegand/Auto-Detect mode, use the following steps:

1. Reset reader power, wait for the reader to complete its startup sequence and return to an idle state.
2. Within 1 minute, present the desired configuration card to the reader.
3. The reader should beep three times followed by a reset.
4. When the reader has fully restarted, the new configuration will be applied.

Reader Startup Sequence

Upon a power reset, the Alarm.com Readers provide a reset sequence using the LED indicator and the beeper, to

provide information about the reader type and its communication mode. The first sequence (sequence A) describes the credential technologies built-in the reader. First, a silent LED sequence will indicate the supported RF protocols. Both LEDs turn off for 250 milliseconds.

Bluetooth	NFC	Prox
Beeper Silent, Red LED on for 500 milliseconds	Beeper Silent, Green LED on for 500 milliseconds	Beeper Silent, Amber LED on for 500 milliseconds

After the above sequence identifies the supported RF protocols, the reader will then indicate the supported host communication using beep/flash sequences. Then the beeper and both LEDs will turn off for 250 milliseconds.

Wiegand	OSDP	Auto-Detect
Beep and Blink Red LED once for 200 milliseconds	Beep and Blink Green LED twice for 200 milliseconds each	Beep and Blink Green LED 4 times for 200 milliseconds each